

MICRO EVO

CHAIN ACTUATOR

OPENING STROKE SIZES

100 - 200 - 300 - 400 mm (adjustable)

PUSH FORCE

300 N

VOLTAGE

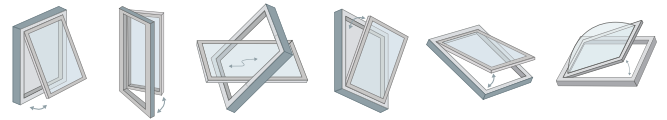
230V AC - 24V DC (+/- 10%)



DESCRIPTION

MICRO EVO electric actuator with anti corrosion treated double-link chain. Operating voltages: 110-240V AC 50-60Hz or 24V DC. Self-adjusting end limit and soft stop closing to preserve the window frame and the actuator. It can be connected in parallel. Synchronisation function, manageable directly on site, for the application of more actuators on the same window. Colours available: Silver Anodised, Black RAL 9005 or White RAL 9003. Adjustable opening stroke of 100-200-300-400 mm using external dial located on side of the actuator. Supplied complete with inward and outward opening fixing brackets.

WINDOW TYPES



APPLICATION



COLOURS

- **Black** RAL 9005
- **Silver** Anodised
- **White** RAL 9003
- ⊗ **Custom** RAL colour

TECHNICAL DATA

	230V AC	24V DC (+/- 10%)
Voltage	230V AC	24V DC (+/- 10%)
Push Force	300 N	300 N
Pull Force	300 N	300 N
Opening Stroke	100-200-300-400 mm (adjustable)	100-200-300-400 mm (adjustable)
Opening Speed	12.5 mm/s	12.5 mm/s
Current Consumption	0.1 A	1.0 A
Operating Conditions	-10°C - +60°C	-10°C - +60°C
Switch-on Duration	S2 4 min	S2 4 min
Colour	White RAL 9003, Black RAL 9005, Silver Anodised or custom RAL colour	White RAL 9003, Black RAL 9005, Silver Anodised or custom RAL colour
IP Rating	IP 32	IP 32
Life Span	10,000 opening and closing movements	10,000 opening and closing movements
Delivery Includes	1 x Actuator, 1 x Pivot Bracket (MICROEVOSB), 1 x Inward Opening Bracket (MICROEOVBHB) & 1 x Vent Bracket (MICROEVOVENT)	1 x Actuator, 1 x Pivot Bracket (MICROEVOSB), 1 x Inward Opening Bracket (MICROEOVBHB) & 1 x Vent Bracket (MICROEVOVENT)
Flex Length	1 m	1 m
Cable Dimensions	3-Core (plus 2 communication wires)	2-Core (plus 2 communication wires)
Min. window width	> 430 mm	> 430 mm
Max. window width	< 1300 mm (use multiple actuators if wider)	< 1300 mm (use multiple actuators if wider)
Synchronisation	Yes	Yes

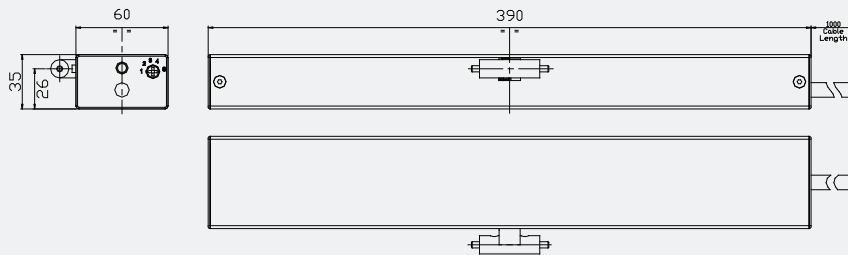
ACCESSORIES

MICROEOVBHBB	- Inward Opening Bracket Black
MICROEOVBHBW	- Inward Opening Bracket White
MICROEVOLPBB	- Large Pivot Bracket Black
MICROEVOLPBW	- Large Pivot Bracket White
MICROEVOSBB	- Standard Pivot Bracket Black
MICROEVOSBW	- Standard Pivot Bracket White
MICROEVOSPBB	- Small Pivot Bracket Black
MICROEVOSPBW	- Small Pivot Bracket White

PART CODES

MICROEVO230VB	- MICRO EVO Actuator 230 V 400 mm Black
MICROEVO230VS	- MICRO EVO Actuator 230 V 400 mm Silver
MICROEVO230VW	- MICRO EVO Actuator 230 V 400 mm White
MICROEVO24VB	- MICRO EVO Actuator 24 V 400 mm Black
MICROEVO24VS	- MICRO EVO Actuator 24 V 400 mm Silver
MICROEVO24VW	- MICRO EVO Actuator 24 V 400 mm White

DIMENSIONS



CONTROLS

230V AC



S50-1
Rocker Switch



RCU1-KIT
Control Unit (Radio)



EVC
Control Unit & Weather Station



RRTKEY
Key Switch

24V DC (+/- 10%)



PSU - 2/4/8
24V DC Transformer



PSU - 2/4/8RC
24V DC Transformer (Radio)



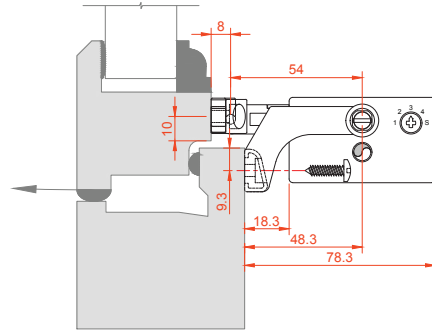
WUC 102
Control Unit



WCC 310
Control Unit

**INSTALLATION
EXAMPLES**

Top Hung (Aluminium)



MICROEVOVENT*

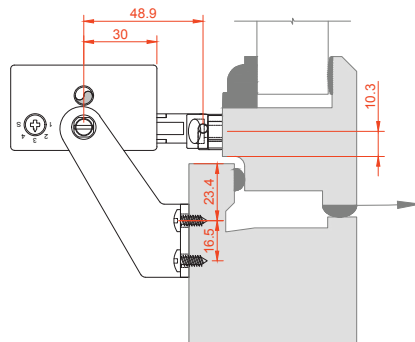


MICROEVOSB*



*Supplied complete with actuator.

Top Hung (uPVC)



MICROEVOVENT*



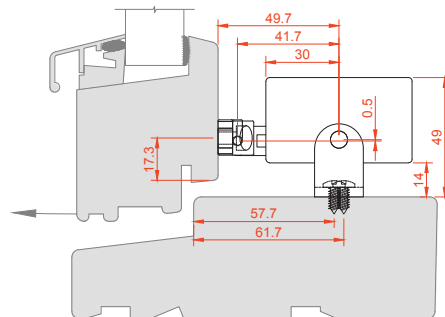
MICROEVOLPB



*Supplied complete with actuator.

*Supplied complete with actuator.

Top Hung (Timber)



MICROEVOVENT*



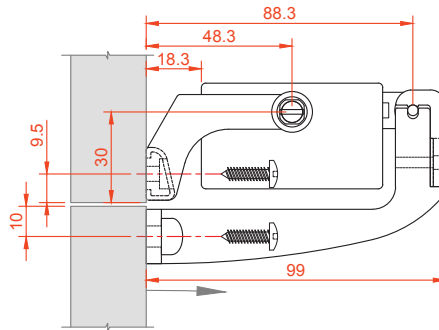
MICROEVOSPB



*Supplied complete with actuator.

**INSTALLATION
EXAMPLES**

Inward Opening



*Supplied complete with actuator.

MICROEVOSB*



MICROEVOBHB*

